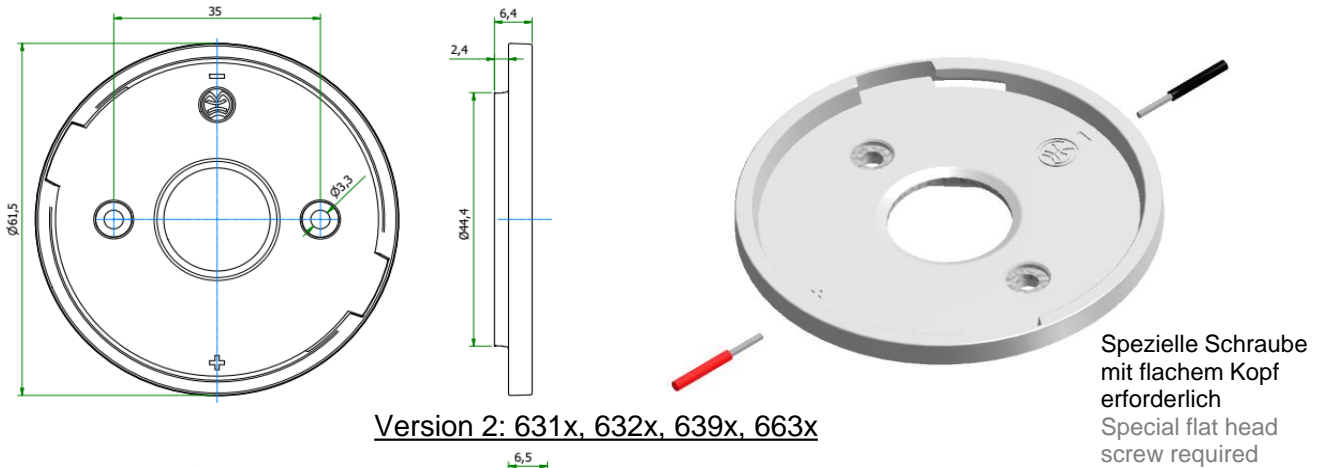


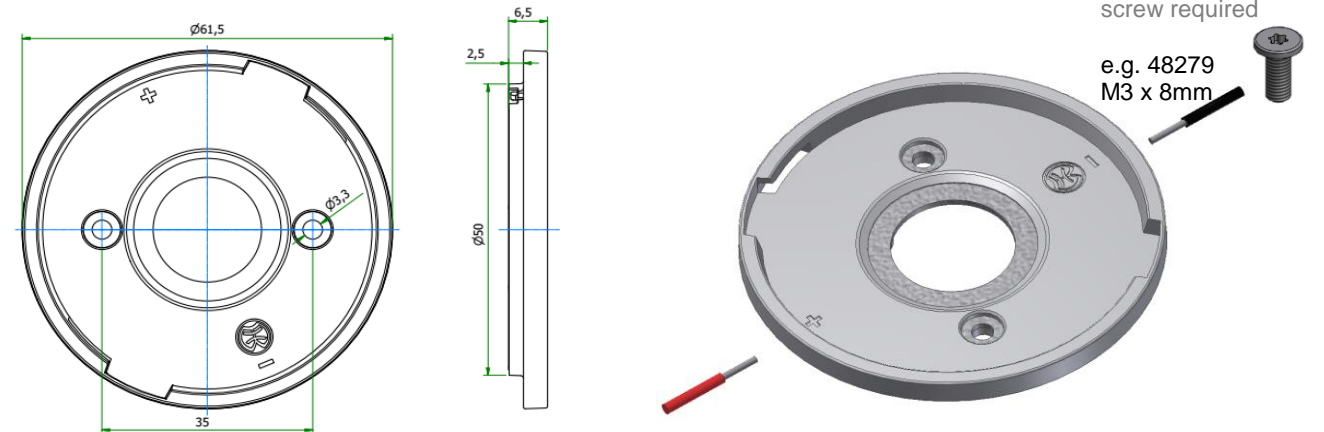
Gehäusetyp: Housing:	RJR	Größe / Size : 61,5 mm Höhe / Height : 6,5 mm
--------------------------------	------------	--

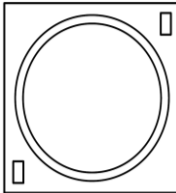


Beispiele für passende Optiken examples of suitable optics	BARTENBACH RJR OPTIC
--	-----------------------------

Version 1: 633x, 634x, 637x, 638x, 641x, 652x, 660x



Version 2: 631x, 632x, 639x, 663x



Bemessungsspannung rated voltage	Standard 250V DC optional 450V DC	Zulässige COB Abmessungen Permissible COB dimensions
Bemessungsstrom rated current	5 A	 <p>siehe Einzeldatenblätter im Online Katalog see data sheets at our web catalogue</p>
Bemessungstemperatur rated operating temperature	T 120	
Befestigung fixing	2 Schrauben M3 2 screws M3	<p style="text-align: center;">Zertifikate / certificates</p> <div style="display: flex; justify-content: space-between;"> <div style="text-align: center;">  Ausweis-Nr. 40050075 </div> <div style="text-align: center;">  File E472943 </div> </div>
max. Drehmoment max. torque	0,5 Nm	
Material des Halters material of the holder	PBT / Mikanit PBT / Mica	
Kontaktmaterial contactmaterial	CuSn CuSn	

Weitere technische Daten und Montagehinweise sind im [Technical Guide COB Halterserie 630](#) enthalten.
 Further technical details and mounting instructions are part of the [Technical Guide COB holder series 630](#).

Teilumhüllter Halter für folgende COBs / unenclosed holder for the following COBs:			
Hersteller supplier	COB Typ COB Type	Teile-Nr. part no.	Haltervariante variant of holder
Bridgelux	V13 Gen 7,8,9	48815	COB Holder Hybrid 633c RJR
Bridgelux	Vesta DTW 13/15mm Gen 1,2	48814	COB Holder Hybrid 632b RJR
Bridgelux	Vesta DTW 18mm Gen 1	on request	COB Holder Hybrid 639c RJR
Bridgelux	Vesta Tunable 13mm Gen 2	on request	Werkzeug fehlt / Tooling required
Citizen	CLU 038 / 03H / 03J / 03Q	48803	COB Holder Hybrid 633a RJR
Citizen	CLU 733	48812	COB Holder Hybrid 631b RJR
CREE	CMA 1825 / 1840	48816	COB Holder Hybrid 637a RJR
CREE	CMA 2550	on request	COB Holder Hybrid 639a RJR
CREE	CMB 1818 / 1825	48816	COB Holder Hybrid 637a RJR
CREE	CMB 1840	48817	COB Holder Hybrid 637b RJR
CREE	CMB 2550	on request	COB Holder Hybrid 639a RJR
CREE	CMT 1922 / 1925 / 1930 / 1945	48815	COB Holder Hybrid 633c RJR
CREE	CMU 1516 / 1519 / 1526 / 1532	48803	COB Holder Hybrid 633a RJR
CREE	CXB 1816 / 1820	48816	COB Holder Hybrid 637a RJR
CREE	CXB 1830	48817	COB Holder Hybrid 637b RJR
CREE	CXB 2530 / 2540	on request	COB Holder Hybrid 639a RJR
Edison	2PHE 15 / 18 / 24 / 30	48803	COB Holder Hybrid 633a RJR
Lextar	PB 16 / 19 / 26	48803	COB Holder Hybrid 633a RJR
Lumileds	Luxeon 1204 / 1205	48813	COB Holder Hybrid 632a RJR
Lumileds	Luxeon 1208 / 1210	48813	COB Holder Hybrid 632a RJR
Lumileds	Luxeon 1211	48812	COB Holder Hybrid 631b RJR
Lumileds	CS COB L06 / L08 / L10	48803	COB Holder Hybrid 633a RJR
Lumileds	CX Plus L04Fx / L05Fx / L08Fx	48816	COB Holder Hybrid 637a RJR
Luminus	CXM-11-xC	48803	COB Holder Hybrid 633a RJR
Luminus	CGM/CIM/CLM/CXM-14-xC	48803	COB Holder Hybrid 633a RJR
Luminus	CXM-18 Gen6	on request	Werkzeug fehlt / Tooling required
Luminus	CDM-14/CDM-18 DtW	48814	COB Holder Hybrid 632b RJR
Luxtech	COB-WD-17-2420	48813	COB Holder Hybrid 632a RJR
Nichia	NV..J048Z / NF..J108B	48804	COB Holder Hybrid 663a RJR
Nichia	NF..J130B	48804	COB Holder Hybrid 663a RJR
Philips	Fortimo SLM12xx .. 2024 G7	48813	COB Holder Hybrid 632a RJR
Philips	Fortimo SLM12xx .. 1919 G7N	48803	COB Holder Hybrid 633a RJR
Philips	Fortimo SLM13xx .. 2024 G8 UHE	48813	COB Holder Hybrid 632a RJR
Prolight Opto	PDSR DimToWarm	48814	COB Holder Hybrid 632b RJR
Samsung	LC 016D / 019D	48815	COB Holder Hybrid 633c RJR
Samsung	LC 026D / 033D	48815	COB Holder Hybrid 633c RJR
Seoul	SAW* 1564 / 1565 / 1566	48815	COB Holder Hybrid 633c RJR
Tridonic	SLE ADV8 LES 13	48815	COB Holder Hybrid 633c RJR
Tridonic	SLE ADV8 LES 15	48815	COB Holder Hybrid 633c RJR
Tridonic	SLE ADV8 LES 17	48812	COB Holder Hybrid 631b RJR

COB HALTER HYBRID COB HOLDER HYBRID

630



Tridonic	SLE SNC8 LES 15	48815	COB Holder Hybrid 633c RJR
VS Lighting	DMS 125 / 126 / 128 ***W	48803	COB Holder Hybrid 633a RJR
VS Lighting	DMS 120 ***W	on request	Werkzeug fehlt / Tooling required
VS Lighting	DMS 1208J	48803	COB Holder Hybrid 633a RJR
VS Lighting	VCA2 126 / 128	48815	COB Holder Hybrid 633c RJR
Xicato	XOB 14	48803	COB Holder Hybrid 633a RJR

Ist Ihre COB nicht aufgeführt? Bitte sprechen Sie uns an.
If your COB is not listed, please contact us.