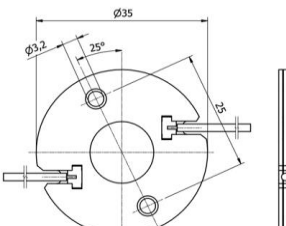
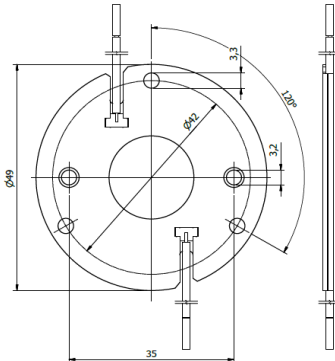
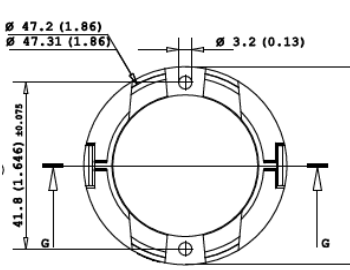
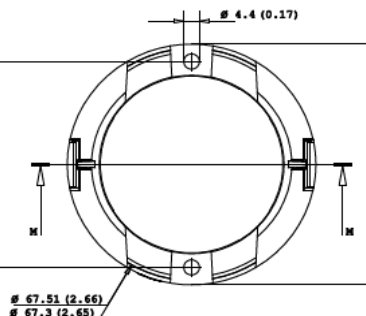
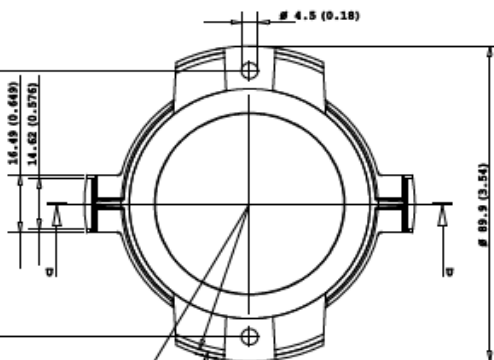





<p>KHATOD® Optical Solutions for LED Lighting</p> <p>COSMO</p>	
<p>Khatod Linse Khatod lenses</p> <p>PLL 2010.. 50mm PLL 2009.. 70mm PLL 2008.. 90mm</p>	
<p>Hersteller Webseite Manufacturer website</p> <p>www.khatod.com</p>	
<p>LED Halter B+W LED Holder B+W</p> <p>4xx / Typ K3 (PLL2010) 4xx / Typ Z1 (PLL2008/9)</p>	

<p>4xx Typ K3</p> 	<p>4xx Typ Z1</p> 	
<p>KEL 2010 lense holder for PLL2010</p> 	<p>KEL2009 lense holder for PLL2009</p> 	<p>KEL 2008 lense holder for PLL2008</p> 
		

Mögliche Halter / COB Kombinationen / Holder / COB combinations Khatod Cosmo

COB Hersteller COB Supplier	COB Typ COB Type	Halter Holder	Linse Lense
Bridgelux	V3 HD / V4 HD Gen 7,8	460 Typ K3	PLL2010.. + KEL2010 50mm
Bridgelux	V6 HD Gen 7,8	464 Typ K3	PLL2010.. + KEL2010 50mm
Bridgelux	V9 HD / V11 HD Gen 7,8	496 Typ K3	PLL2010.. + KEL2010 50mm
Bridgelux	V6 Gen 8,9 (just 2 pads!)	460 Typ K3	PLL2010.. + KEL2010 50mm
Bridgelux	V8 Gen 7,8,9 (4 pads)	460 Typ K3	PLL2010.. + KEL2010 50mm
Bridgelux	V10 Gen 7,8,9	486 Typ K3	PLL2010.. + KEL2010 50mm
Bridgelux	V13 Gen 7,8,9	477 Typ Z1	PLL2009.. + KEL2009 70mm
Bridgelux	V15 Gen 7,8,9	456 Typ Z1	PLL2009.. + KEL2009 70mm
Bridgelux	V18 Gen 7,8,9	462 Typ Z1	PLL2008.. + KEL2008 90mm
Bridgelux	V22 Gen 7,8,9	431 Typ Z1	PLL2008.. + KEL2008 90mm
Bridgelux	Vesta DTW 6/9mm Gen 1,2	490 Typ K3	PLL2010.. + KEL2010 50mm
Bridgelux	Vesta DTW 13/15mm Gen 1,2	491 Typ Z1	PLL2009.. + KEL2009 70mm
Bridgelux	Vesta DTW 18mm Gen 1	505 Typ Z1	PLL2008.. + KEL2008 90mm
Bridgelux	Vesta Tunable 6mm Gen 2	504 Typ K3	PLL2010.. + KEL2010 50mm
Bridgelux	Vesta Tunable 9mm Gen 2	489 Typ K3	PLL2010.. + KEL2010 50mm
Bridgelux	Vesta Tunable 13mm Gen 2	492 Typ Z1	PLL2009.. + KEL2009 70mm
Bridgelux	Vesta Tunable 15mm Gen 2	482 Typ Z1	PLL2009.. + KEL2009 70mm
Bridgelux	Vesta Tunable 18mm Gen 2	483 Typ Z1	PLL2008.. + KEL2008 90mm
Bridgelux	Vesta Tunable 22mm Gen 2	494 Typ Z1	PLL2008.. + KEL2008 90mm
Citizen	CLU 028 / 02J / 02Q	434 Typ K3	PLL2010.. + KEL2010 50mm
Citizen	CLU 038 / 03H / 03J / 03Q	433 Typ Z1	PLL2009.. + KEL2009 70mm
Citizen	CLU 048 / 04H / 04J / 04Q	431 Typ Z1	PLL2008.. + KEL2008 90mm
Citizen	CLU 7R3	485 Typ K3	PLL2010.. + KEL2010 50mm
Citizen	CLU 702 / 703 / 7A2 / 7A3 / 7B2	434 Typ K3	PLL2010.. + KEL2010 50mm
Citizen	CLU 712 / 713	477 Typ K3	PLL2010.. + KEL2010 50mm
Citizen	CLU 723	477 Typ K3	PLL2010.. + KEL2010 50mm
Citizen	CLU 733	471 Typ Z1	PLL2009.. + KEL2009 70mm
Citizen	LCN-C01B2 / C02B2 Tunable	481 Typ Z1	PLL2009.. + KEL2009 70mm
Citizen	LCN-C04B2 / C05B2 Tunable	481 Typ Z1	PLL2009.. + KEL2009 70mm
CREE	CHA 0304 / 0410 / 0612	434 Typ K3	PLL2010.. + KEL2010 50mm
CREE	CHA 0825	433 Typ K3	PLL2010.. + KEL2010 50mm
CREE	CMA 1303 / 1306	448 Typ K3	PLL2010.. + KEL2010 50mm
CREE	CMA 1516	441 Typ K3	PLL2010.. + KEL2010 50mm
CREE	CMA 1825 / 1840	437 Typ Z1	PLL2009.. + KEL2009 70mm
CREE	CMA 2550	439 Typ Z1	PLL2008.. + KEL2008 90mm

Mögliche Halter / COB Kombinationen / Holder / COB combinations Khatod Cosmo

COB Hersteller COB Supplier	COB Typ COB Type	Halter Holder	Linse Lense
CREE	CMA 3090	447 Typ Z1	PLL2008.. + KEL2008 90mm
CREE	CMB 1304 / 1306	448 Typ K3	PLL2010.. + KEL2010 50mm
CREE	CMB 1507 / 1510 / 1516	441 Typ K3	PLL2010.. + KEL2010 50mm
CREE	CMB 1818 / 1825	437 Typ Z1	PLL2009.. + KEL2009 70mm
CREE	CMB 1840	457 Typ Z1	PLL2009.. + KEL2009 70mm
CREE	CMB 2550	439 Typ Z1	PLL2008.. + KEL2008 90mm
CREE	CMB 3090	447 Typ Z1	PLL2008.. + KEL2008 90mm
CREE	CMT 1407 / 1412 / 1420	434 Typ K3	PLL2010.. + KEL2010 50mm
CREE	CMT 1922 / 1925 / 1930 / 1945	477 Typ Z1	PLL2009.. + KEL2009 70mm
CREE	CMT 2850 / 2870 / 2890	471 Typ Z1	PLL2008.. + KEL2008 90mm
CREE	CMU 1003 / 1006 / 1010 / 1013	434 Typ K3	PLL2010.. + KEL2010 50mm
CREE	CMU 1516 / 1519 / 1526 / 1532	433 Typ Z1	PLL2009.. + KEL2009 70mm
CREE	CMU 2236 / 2239 / 2258 / 2287	471 Typ Z1	PLL2008.. + KEL2008 90mm
CREE	CXB 1304 / 1310	448 Typ K3	PLL2010.. + KEL2010 50mm
CREE	CXB 1507 / 1512 / 1520	441 Typ K3	PLL2010.. + KEL2010 50mm
CREE	CXB 1816 / 1820	437 Typ Z1	PLL2009.. + KEL2009 70mm
CREE	CXB 1830	457 Typ Z1	PLL2009.. + KEL2009 70mm
CREE	CXB 2530 / 2540	439 Typ Z1	PLL2008.. + KEL2008 90mm
CREE	CXB 3050 / 3070	447 Typ Z1	PLL2008.. + KEL2008 90mm
Edison	2PHE 03 / 06 / 09 / 13	434 Typ K3	PLL2010.. + KEL2010 50mm
Edison	2PHE 15 / 18 / 24 / 30	433 Typ Z1	PLL2009.. + KEL2009 70mm
Edison	2PHE 55 / 60 / 83	431 Typ Z1	PLL2008.. + KEL2008 90mm
Lextar	PB 06 / 09 / 13	434 Typ K3	PLL2010.. + KEL2010 50mm
Lextar	PB 16 / 19 / 26	433 Typ Z1	PLL2009.. + KEL2009 70mm
Lextar	PB 38 / 54	431 Typ Z1	PLL2008.. + KEL2008 90mm
Lumileds	Luxeon 1202s / 1202HD	452 Typ K3	PLL2010.. + KEL2010 50mm
Lumileds	Luxeon 1202 / 1203 / 1204HD	480 Typ K3	PLL2010.. + KEL2010 50mm
Lumileds	Luxeon 1205HD	480 Typ K3	PLL2010.. + KEL2010 50mm
Lumileds	Luxeon 1204 / 1205	432 Typ Z1	PLL2009.. + KEL2009 70mm
Lumileds	Luxeon 1208 / 1210	432 Typ Z1	PLL2009.. + KEL2009 70mm
Lumileds	Luxeon 1211	431 Typ Z1	PLL2008.. + KEL2008 90mm
Lumileds	Luxeon 1213 / 1216 / 1812 / 1816	431 Typ Z1	PLL2008.. + KEL2008 90mm
Lumileds	CS COB L02 / L04	434 Typ K3	PLL2010.. + KEL2010 50mm
Lumileds	CS COB L06 / L08 / L10	433 Typ Z1	PLL2009.. + KEL2009 70mm

Mögliche Halter / COB Kombinationen / Holder / COB combinations Khatod Cosmo

COB Hersteller COB Supplier	COB Typ COB Type	Halter Holder	Linse Lense
Lumileds	CS COB L11 / L13 / L16	431 Typ Z1	PLL2008.. + KEL2008 90mm
Lumileds	CS COB R12 / R18	431 Typ Z1	PLL2008.. + KEL2008 90mm
Lumileds	CX Plus HD S01H4, S0xH6	448 Typ K3	PLL2010.. + KEL2010 50mm
Lumileds	CX Plus HD S04H9	4xx Typ K3	PLL2010.. + KEL2010 50mm
Lumileds	CX Plus S01Fx / S02Fx	448 Typ K3	PLL2010.. + KEL2010 50mm
Lumileds	CX Plus M02Fx / M03Fx	441 Typ K3	PLL2010.. + KEL2010 50mm
Lumileds	CX Plus L04Fx / L05Fx / L08Fx	437 Typ Z1	PLL2009.. + KEL2009 70mm
Luminus	CXM-3-xC	434 Typ K3	PLL2010.. + KEL2010 50mm
Luminus	CHM-4-BH / CXM-4-xC	434 Typ K3	PLL2010.. + KEL2010 50mm
Luminus	CHM-6-BH / CXM-6-xC	434 Typ K3	PLL2010.. + KEL2010 50mm
Luminus	CIM/CLM/CXM-9-xC	434 Typ K3	PLL2010.. + KEL2010 50mm
Luminus	CLM/CXM-9-xA	461 Typ K3	PLL2010.. + KEL2010 50mm
Luminus	CHM-9-BH	433 Typ K3	PLL2010.. + KEL2010 50mm
Luminus	CXM-11-xC	433 Typ Z1	PLL2009.. + KEL2009 70mm
Luminus	CGM/CIM/CLM/CXM-14-xC	433 Typ Z1	PLL2009.. + KEL2009 70mm
Luminus	CVM/CXM-18	453 Typ Z1	PLL2008.. + KEL2008 90mm
Luminus	CXM-18 Gen6	431 Typ Z1	PLL2008.. + KEL2008 90mm
Luminus	CGM/CIM/CLM/CXM-22-xC	431 Typ Z1	PLL2008.. + KEL2008 90mm
Luminus	CDM-6 / CDM-9Gen1 DtW	490 Typ K3	PLL2010.. + KEL2010 50mm
Luminus	CDM-14/CDM-18 DtW	491 Typ Z1	PLL2008.. + KEL2008 90mm
Luminus	CTM-6 / CTM-9 TW	495 Typ K3	PLL2010.. + KEL2010 50mm
Luminus	CTM-14 TW	442 Typ Z1	PLL2008.. + KEL2008 90mm
Luminus	CTM-14 RGBW	500 Typ Z1	PLL2009.. + KEL2009 70mm
Luminus	CTM-18 Gen1 TW	442 Typ Z1	PLL2008.. + KEL2008 90mm
Luminus	CTM-18 Gen2 TW	483 Typ Z1	PLL2008.. + KEL2008 90mm
Luminus	CTM-22 TW	494 Typ Z1	PLL2008.. + KEL2008 90mm
Luxtech	COB-WD-10-1512	479 Typ K3	PLL2010.. + KEL2010 50mm
Luxtech	COB-WD-17-2420	491 Typ Z1	PLL2009.. + KEL2009 70mm
Luxtech	COB-DN-16-2420	442 Typ Z1	PLL2009.. + KEL2009 70mm
Nichia	NV..S007Z / NF..T012B	452 Typ K3	PLL2010.. + KEL2010 50mm
Nichia	NF..S024B / NT..S024B	452 Typ K3	PLL2010.. + KEL2010 50mm
Nichia	NJ..S024Z	452 Typ K3	PLL2010.. + KEL2010 50mm
Nichia	NV..L016Z / NV..L024Z	438 Typ K3	PLL2010.. + KEL2010 50mm
Nichia	NV..J048Z / NF..J108B	463 Typ Z1	PLL2009.. + KEL2009 70mm

Mögliche Halter / COB Kombinationen / Holder / COB combinations Khatod Cosmo

COB Hersteller COB Supplier	COB Typ COB Type	Halter Holder	Linse Lense
Nichia	NF..J130B	463 Typ Z1	PLL2009.. + KEL2009 70mm
Nichia	NJNWS012Z Tunable	495 Typ K3 HV	PLL2010.. + KEL2010 50mm
Nichia	NJCWL024Z Tunable	497 Typ K3 HV	PLL2010.. + KEL2010 50mm
Prolight Opto	PASB	434 Typ K3	PLL2010.. + KEL2010 50mm
Prolight Opto	PASQ/PAPQ DimToWarm	434 Typ K3	PLL2010.. + KEL2010 50mm
Prolight Opto	PDSQ DimToWarm	490 Typ K3	PLL2010.. + KEL2010 50mm
Prolight Opto	PDSR DimToWarm	432 Typ Z1	PLL2009.. + KEL2009 70mm
Prolight Opto	PDSJ Tunable	442 Typ Z1	PLL2009.. + KEL2009 70mm
Samsung	LC 010C	434 Typ K3	PLL2010.. + KEL2010 50mm
Samsung	LC 003D / 006D	434 Typ K3	PLL2010.. + KEL2010 50mm
Samsung	LC 009D / 013D	434 Typ K3	PLL2010.. + KEL2010 50mm
Samsung	LC 016D / 019D	477 Typ Z1	PLL2009.. + KEL2009 70mm
Samsung	LC 026D / 033D	477 Typ Z1	PLL2009.. + KEL2009 70mm
Samsung	LC 040D / 060D / 080D	431 Typ Z1	PLL2008.. + KEL2008 90mm
Samsung	LC010T Tunable	501 Typ K3	PLL2010.. + KEL2010 50mm
Samsung	LC020T Tunable	501 Typ Z1	PLL2009.. + KEL2009 70mm
Samsung	LC035T Tunable	502 Typ Z1	PLL2008.. + KEL2008 90mm
Seoul	SAW* 0661	434 Typ K3	PLL2010.. + KEL2010 50mm
Seoul	SAW* 1062 / 1063	434 Typ K3	PLL2010.. + KEL2010 50mm
Seoul	SAW* 1564 / 1565 / 1566	477 Typ Z1	PLL2009.. + KEL2009 70mm
Seoul	SAW* 22AA / 2296	431 Typ Z1	PLL2008.. + KEL2008 90mm
Seoul	SAW* 2298 / 226A	431 Typ Z1	PLL2008.. + KEL2008 90mm
Signify	Fortimo SLM12xx .. 1215 G7	452 Typ K3	PLL2010.. + KEL2010 50mm
Signify	Fortimo SLM12xx .. 1619 G7	480 Typ K3	PLL2010.. + KEL2010 50mm
Signify	Fortimo SLM12xx .. 2024 G7	432 Typ Z1	PLL2009.. + KEL2009 70mm
Signify	Fortimo SLM12xx .. 2828 G7	431 Typ Z1	PLL2008.. + KEL2008 90mm
Signify	Fortimo SLM12xx .. 1313 G7N	434 Typ K3	PLL2010.. + KEL2010 50mm
Signify	Fortimo SLM12xx .. 1919 G7N	433 Typ Z1	PLL2009.. + KEL2009 70mm
Signify	Fortimo SLM12xx .. 2828 G7N	431 Typ Z1	PLL2008.. + KEL2008 90mm
Signify	Fortimo SLM13xx .. 2024 G8 UHE	432 Typ Z1	PLL2009.. + KEL2009 70mm
Signify	Fortimo SLM13xx .. 2828 G8 UHE	431 Typ Z1	PLL2008.. + KEL2008 90mm
Signify	Fortimo L06A 1313 G7N Tunable	509 Typ K3	PLL2010.. + KEL2010 50mm
Signify	Fortimo L09A 1919 G7N Tunable	501 Typ K3	PLL2010.. + KEL2010 50mm

Mögliche Halter / COB Kombinationen / Holder / COB combinations Khatod Cosmo

COB Hersteller COB Supplier	COB Typ COB Type	Halter Holder	Linse Linse
Tridonic	SLE ADV8 LES 04 / 06	434 Typ K3	PLL2010.. + KEL2010 50mm
Tridonic	SLE ADV8 LES 09	434 Typ K3	PLL2010.. + KEL2010 50mm
Tridonic	SLE ADV8 LES 13	433 Typ Z1	PLL2009.. + KEL2009 70mm
Tridonic	SLE ADV8 LES 15	433 Typ Z1	PLL2009.. + KEL2009 70mm
Tridonic	SLE SNC8 LES 06	434 Typ K3	PLL2010.. + KEL2010 50mm
Tridonic	SLE SNC8 LES 09	434 Typ K3	PLL2010.. + KEL2010 50mm
Tridonic	SLE SNC8 LES 15	433 Typ Z1	PLL2009.. + KEL2009 70mm
VS Lighting	DMS 102 ***W	434 Typ K3	PLL2010.. + KEL2010 50mm
VS Lighting	DMS 124 ***W	434 Typ K3	PLL2010.. + KEL2010 50mm
VS Lighting	DMS 125 / 126 / 128 ***W	433 Typ Z1	PLL2009.. + KEL2009 70mm
VS Lighting	DMS 120 ***W	431 Typ Z1	PLL2008.. + KEL2008 90mm
VS Lighting	DMS 12C / 18B ***W	431 Typ Z1	PLL2008.. + KEL2008 90mm
VS Lighting	DMS 1208J	433 Typ Z1	PLL2009.. + KEL2009 70mm
VS Lighting	DMS 1212J / 1812J	431 Typ Z1	PLL2008.. + KEL2008 90mm
VS Lighting	VCA 042	486 Typ K3	PLL2010.. + KEL2010 50mm
VS Lighting	VCA2 122 / 123 / 124	486 Typ K3	PLL2010.. + KEL2010 50mm
VS Lighting	VCA2 126 / 128	477 Typ Z1	PLL2009.. + KEL2009 70mm
VS Lighting	VCA2 1211 / 1213	471 Typ Z1	PLL2008.. + KEL2008 90mm
VS Lighting	TW 1914 Tunable	493 Typ Z1	PLL2009.. + KEL2009 70mm
VS Lighting	TW 2820 Tunable	494 Typ Z1	PLL2008.. + KEL2008 90mm
VS Lighting	WU-M-618 DimToWarm	434 Typ K3	PLL2010.. + KEL2010 50mm
Xicato	XOB 04	486 Typ K3	PLL2010.. + KEL2010 50mm
Xicato	XOB 06 (B)	486 Typ K3	PLL2010.. + KEL2010 50mm
Xicato	XOB 09	434 Typ K3	PLL2010.. + KEL2010 50mm
Xicato	XOB 14	433 Typ Z1	PLL2009.. + KEL2009 70mm
Xicato	XOB 23	431 Typ Z1	PLL2008.. + KEL2008 90mm

Mögliche Halter / COB Kombinationen / Holder / COB combinations **Khatod Cosmo**

COB Hersteller COB Supplier	COB Typ COB Type	Halter Holder	Linse Lense
--------------------------------	---------------------	------------------	----------------

Ist Ihre COB oder die gewünschte Bauform nicht aufgeführt? Bitte sprechen Sie uns an.
If your COB or requested shape is not listed, please contact us.

Die dargestellten Halter / Reflektor Kombinationen zeigen lediglich die technische Machbarkeit.
 Technische Daten und Montagehinweise sind in unserem [Technical Guide LED Halter Serie 430](#) aufgeführt.

Die Kabelaustritte an den Haltern sind abhängig vom verwendeten COB.
 The illustrated holder / reflector combinations only show the technical feasibility.

Optische Daten und Datenblätter gibt es auf Anfrage nach Verfügbarkeit beim Reflektorhersteller.
 Technical data and datasheets are listed in our [Technical Guide LED holder series 430](#).

The cable exits of the holders are pending on the COB.
 Optical data and datasheets are available upon request and availability by the reflector manufacturer.

Die Informationen in diesem Dokument sind ohne Gewähr und können ohne Vorankündigung geändert werden.
 The information in this document is provided without liability and subject to change without notice.